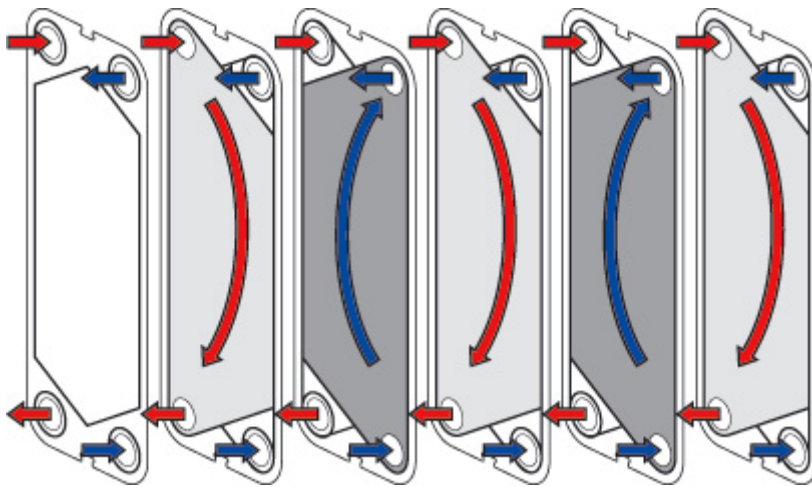


The use of plate heat exchangers in heating Brazetek

The main purpose of heating systems - is to create a comfortable environment indoors: at home, at work, in a public place. The systems create comfortable conditions include the following heating systems: heating, hot water, heated pool, heated floors, ventilation, etc. Currently, the most widely used plate heat exchangers have it in the heat. Efficiency of plate heat exchanger, approximately 98%, while a shell and tube, the figure is approximately 60%. Area occupied by the plate heat exchanger, is several times smaller than the area occupied by the shell and. Above, and reliability of heat exchangers. That is why the vast majority of sites today are equipped with heating plate heat exchangers.



The main direction of plate heat exchangers is their installation in heating, ventilation and hot water. The standard collapsible plate heat exchangers Brazetek for heating systems are manufactured using stainless steel plates 1.4401 (AISI 316) and seals EPDM. However, in some cases possible to use plates made of titanium, Hastelloy, etc. The heating units can be installed brazed plate heat exchangers.

The advantages of plate heat exchangers include the following factors:

[175,000 BTU/hr: Plate Heat Exchanger](#)

- Improving the reliability of heat supply systems. Virtually eliminated the possibility of mixing coolants. Occurs the hydraulic separation of primary and secondary circuits systems. Thermal network of high pressure and low pressure systems for end-users are not linked directly.

[250,000 BTU/hr: 20-Plate Heat Exchanger](#)

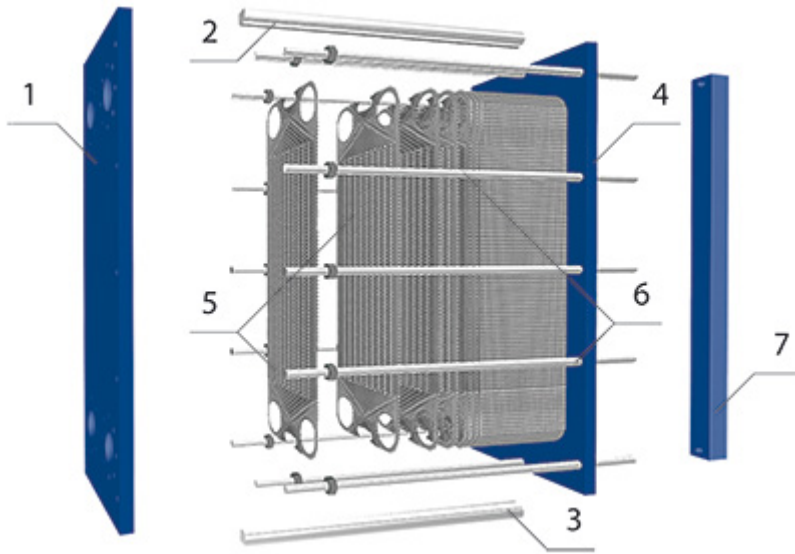
[350,000 BTU/hr: 30-Plate Heat Exchanger](#)

[450,000 BTU/hr: 40-Plate Heat Exchanger](#)

- There is a possibility of effective hydraulic adjustment of heat supply systems, which leads to a more stable and economical operation.

- When replacing the shell and tube heat exchangers on the plate of the same capacity, releasing a large amount of free floor space. Also of note is the excellent maintainability and ease of cleaning heat exchangers.

- Establishing a plate heat exchanger substations greatly simplifies the task of management and automation. It allows users to effectively save the heat in spring and autumn periods.



The use of plate heat exchangers is possible in systems of underfloor heating, water heating in swimming pools, heat recovery in power plants.

Plate heat exchangers Brazetek apply to the following heating systems:

- # Central Heating
- # Hot Water Systems
- # Heating by radiation
- # Heat treated water
- # Heated swimming pools
- # Installation of heat recovery
- # Preheating water
- # Geothermal Installation
- # Solar Panel

www.brazetek.com